

oakfull 澳可富

Oakfull Ultrafiltration Water Purifier



User Manual

Oakfull Ultrafiltration Water Purifier is a new generation water treatment solution that provides multi-stage treatment of drinking water.

Oakfull Technology

High-quality Ultrafiltration Membrane effectively reduces heavy metal ions (copper, lead, cadmium, etc.) and enhances filter element performance. Combined with coconut shell activated carbon, this technology ensures every drop of water is filtered.

Oakfull Carbon Block

Technology used to create filtration media with different porosities to address various levels of water contamination.

Auto-Lock

Filter cartridges can be replaced instantly. Maintenance is clean and safe.

Absolute Safety

The materials used in Oakfull water purifiers meet the "food-grade" requirements of global safety standards.

Tested for 250,000 Cycles

Can withstand over 100,000 cycles of pressure (water hammer test). Burst pressure reaches up to 32 kg.

Shipping Set Contents

Housing	1pc
Filter Cartridges	3pcs
Accessory Box	1pc
Purified Water Faucet	1pc
1/4" Quick-Connect Tee	1pc
1/4" Water Tube	1pc
Operation Manual (with Product Certificate)	1pc
Packaging	1pc

Installation

Note! Before installing the water purifier, measure the water pressure. If the water pressure exceeds 0.63 MPa, install a pressure reducing valve (not included in the purifier kit).

Choose suitable locations for the purified water faucet (1), the water purifier (2), and the connection point for the connecting unit (3) to the water supply line (Fig. 1-2). Ensure connecting tubes run loosely and are not kinked. It is recommended to secure loose sections of tubing to avoid damage or incorrect connections that could reduce flow rate. The water purifier must be placed away from or isolated from any heat sources (kitchen oven, boiler, hot water supply pipes, dishwasher, or washing machine, etc.).

1. Close the main cold water valve and open the faucet to release pressure.
2. Install the connecting unit (3) between the main cold water pipe and the flexible hose.

Note: Do not use excessive force during installation to prevent damage to the connecting unit (3). Claims resulting from mechanical damage to the connecting unit (3) due to improper installation will not be accepted.

1. Drill a 12 mm hole in the chosen location for the purified water faucet.

2. Install the decorative base (15), rubber gasket (5), and rubber washer (6) onto the threaded end of the faucet (1).

Note: Only use the supplied purified water faucet (1). Using other faucets will relieve the manufacturer of any responsibility for the consequences arising from their use. Insert the faucet end (1) into the drilled hole. Place the plastic washer (7), metal (lock) washer (8), and tighten with the nut (9)

1. Take the tube with the press-fit copper sleeve (10) from the faucet kit and slide the cap nut (12) onto the tube.

2. Connect one end of the tube with the press-fit copper sleeve (10) to the faucet (1) and tighten with the fastening nut (9).

3. Insert the other end of the tube (without the copper sleeve) into the purifier port marked with the "OUTLET" arrow. Secure the tube with the blue quick-fit connector (13).

4. Take a tube without a press-fit metal sleeve. Moisten one end of the tube with water, insert it completely into the purifier following the "INLET" arrow direction, and secure it with the blue quick-fit connector.

5. Assemble the water purifier (2) according to the filter cartridge installation sequence (see section "Filter Cartridge Installation").

Note: The moistened tube must be inserted completely, with a minimum insertion depth of 15 mm. Ensure the tube is correctly secured; it must be firm and withstand a pull force of 8-10 kg. Always follow the "INLET" and "OUTLET" direction on the purifier: check the arrows on the housing.

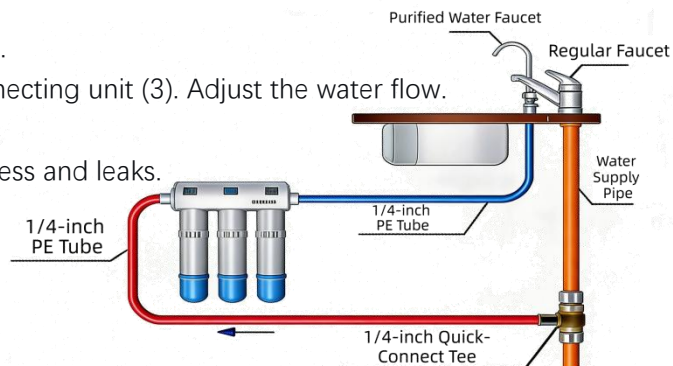
1. Insert the hose (14) into the connecting unit (3) until it stops. Insert the blue quick-fit connector.

2. Open the main cold water valve.

3. Open the valve (18) on the connecting unit (3). Adjust the water flow.

4. Open the purified water faucet.

5. Check all connections for tightness and leaks.



Filter Cartridge Installation

Assemble the purifier by installing the filter cartridges in order according to the water flow direction (see Table 1 "Filter Cartridge Installation Sequence Along Water Flow").

Filter Cartridge Installation Steps:

- ◆ Remove the protective film from the new filter cartridge
- ◆ Insert the cartridge into the housing until it stops, then rotate it clockwise until you hear a "click" (Fig. 3)

PP: Reduces dirt and other sediment particles 5-15 microns or larger from the incoming water.

UF1: Hollow fiber membrane retains microscopic particles as small as 0.02 microns, ensuring bacterial protection.

CB2: Improves taste, regulates drinking water balance.

CS25 (Filter Cartridge) : Improves taste, regulates drinking water balance.

Note! Pay attention to the filter cartridge installation sequence.

The position of the filter cartridges in the purifier assembly is shown in Table 1.

Table 1. Filter Cartridge Installation Sequence Along Water Flow

Purifier/Cartridge Sequence	1st	2nd	3rd
Oakfull Ultrafiltration Water Purifier	PP	UF1	CB2

After Completing the Purifier Installation Connection:

- ◆ Replace the plugs in the filter positions (applicable only for Oakfull Ultrafiltration Water Purifier).
- ◆ Open the main cold water valve and ensure the purifier does not leak.
- ◆ Open the purified water faucet (1).
- ◆ Adjust the water flow using the connecting unit (3) according to the recommended filtration flow rate.
- ◆ Allow water to flow through the purifier for 5 minutes
- ◆ Open the purified water faucet and let the purifier stand for 5 minutes
- ◆ Allow water to flow through the purifier again for 5 minutes.

- ◆ Reinstall the filter cartridges to their original positions and let water flow through the purifier for 3 minutes (applicable only for Oakfull Ultrafiltration Water Purifier)
- ◆ Close the purified water faucet; ensure all connections are sealed properly
- ◆ The water purifier is now ready for use.

Filter Cartridge Replacement

Throughout its service life, the water purifier requires no maintenance – you only need to replace the filter cartridges in a timely manner.

- ◆ Close the inlet valve before the purifier and open the purified water faucet to relieve pressure.
- ◆ Remove the cartridge by rotating it counter-clockwise (Fig. 3)
- ◆ Remove the shrink wrap from the new filter cartridge
- ◆ Insert the new cartridge into the housing until it stops, then rotate it clockwise while pressing gently until you hear a "click" (Fig. 3)

Note: Failure to tighten the cartridge to its final position (accompanied by a "click") may lead to leaks

Note: Follow the filter cartridge installation sequence.

After installing new cartridges, flush the purifier as described in the section "After Completing the Purifier Installation Connection"

If the purifier has not been used for more than a week, flush it with water for 5 minutes before use. If there is any doubt about the bacteriological safety of the incoming water, boil the filtered water before consumption. Storing filtered water is not recommended. Use only freshly filtered water. During transportation, storage, and use, protect the purifier from impacts and drops, and prevent internal freezing. Disposal of the water purifier must comply with environmental, sanitary, and other requirements stipulated in national environmental and health standards.

Manufacturer's Warranty

The service life of the water purifier (excluding replacement cartridges) is 5 years from the manufacturing date. The purifier should be replaced after its service life expires.

Replacement cartridge service life for various filter types:

PP – 8000 liters or up to 12 months;

UF1 – 6000 liters or up to 24 months;

CB2 – 6000 liters or up to 24 months;

CS25 – 4000 liters or up to 12 months.

The service life of replacement cartridges is set for filtering water that meets current sanitary standards. The cartridge service life is calculated from the date of purchase. The purchase date of the water purifier (together with replacement cartridges) is determined by the retailer's stamp on the product certificate or the sales receipt date. If the purchase date cannot be determined, the service life is calculated from the manufacturing date of the replacement cartridges.

The shelf life of the water purifier (together with the complete set of replacement cartridges) before commissioning is a maximum of 3 years, when stored at temperatures between +5 and +38°C without removing the packaging.

The warranty period for the water purifier (excluding replacement cartridges) is 2 years from the date of purchase. The manufacturer will not be liable for warranty claims if this product certificate is lost and the product's usage period cannot be determined by other means.

The manufacturer is not liable in any of the following cases:

The user fails to comply with the installation instructions described in this manual. Replacement cartridges are not replaced in a timely manner after their service life expires.

The water purifier is used beyond the limits specified in the technical specifications (in this manual).

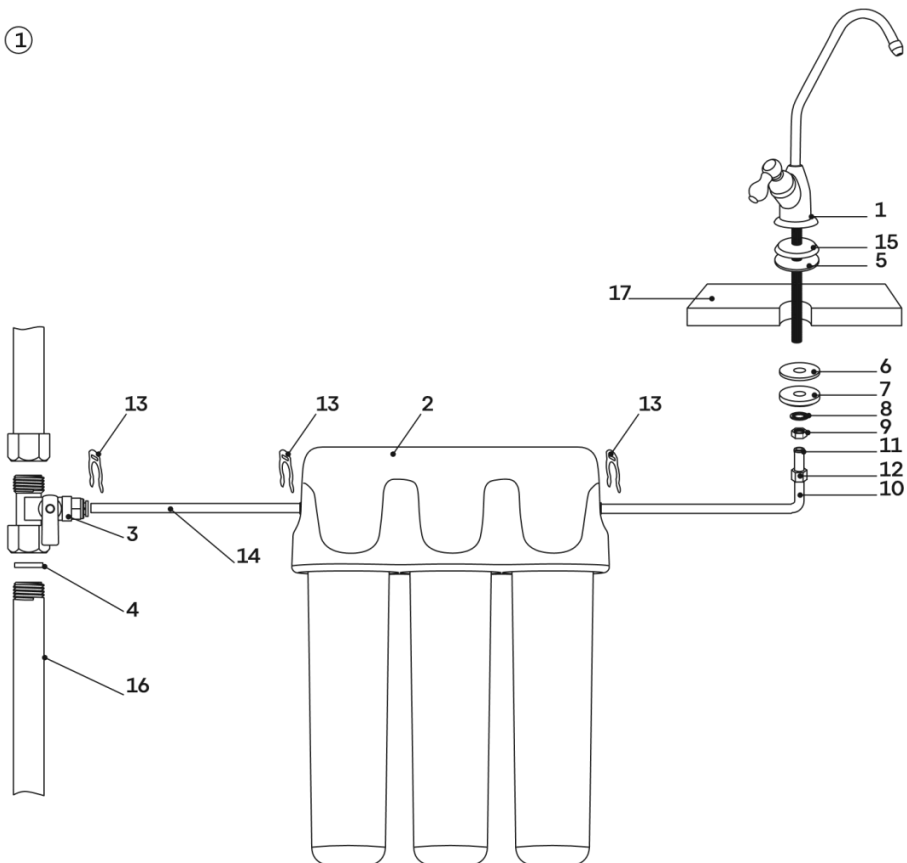
For any questions regarding the operation of the water purifier, please contact the retailer or the manufacturer. Claims will not be accepted if the water purifier has any visible external defects.

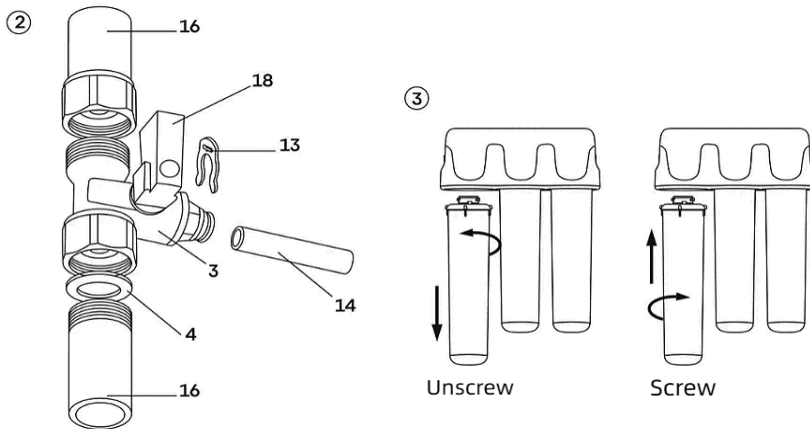
www.oakfullwater.com

*** Using the water purifier beyond its service life may cause harm to the health or property of the consumer or third parties and should be avoided.

**** The resource of the replaceable cartridge set is set for filtering water that meets current sanitary standards. The service life of the replaceable cartridge set may vary depending on water quality (hardness, impurity content, etc.).

①





22

The numbers in the diagram indicate the following parts:

1. Purified Water Faucet
2. Water Purifier
3. Connecting Unit
4. Housing
5. Rubber Sealing Gasket
6. Rubber Washer
7. Plastic Washer
8. Metal Washer (Lock Washer)
9. Fastening Nut
10. Tube
11. Metal Sleeve (Tapered Sleeve)
12. Cap Nut
13. Blue Quick-Fit Connector
14. Tube
15. Decorative Base
16. Main Cold Water Pipe
17. Sink (Countertop)
18. Inlet Valve in "Closed" Position